

**Interreg**



France ( Channel  
Manche ) England

European Regional Development Fund



EUROPEAN UNION

**MARINEFF**  
MARine INfrastructures EFFects



# Collaboration between Interreg projects and highlights of the Marineff project

Jess Bone, Marineff research assistant  
Bournemouth University



Muséum  
national  
d'Histoire  
naturelle



MARITIME ET FLUVIAL



University  
of Exeter



UNIVERSITÉ  
CAEN  
NORMANDIE



# Workshop and Regional Seminar in Bournemouth, UK

## 11<sup>th</sup> – 12<sup>th</sup> October



- Share knowledge and lessons learned
- Establish new connections and produce new research ideas and projects
- Avoid duplication of outputs and enhance deliverables already in production
- Target and reach stakeholders and audience not previously considered

# Networking event outcomes, upcoming meeting

Online meeting on Monday 12<sup>th</sup> December  
– 11.00-12.30

Eco-engineering for coastal infrastructure  
working group

- Take forward project ideas discussed at the workshop
- Discuss possibility of formliner library/ storage/ rental

# zoom

If you are interested in joining please email me  
[jbone@bournemouth.ac.uk](mailto:jbone@bournemouth.ac.uk)



€ 5.7 million total budget

selected by



France ( Channel  
Manche ) England

co-funded by



**European Union**  
European Regional  
Development Fund

Nine project partners with  
multidisciplinary background:

- Marine ecologists/ biologists
- Coastal engineers
- Materials scientists
- Maritime industry professionals



MARITIME ET FLUVIAL



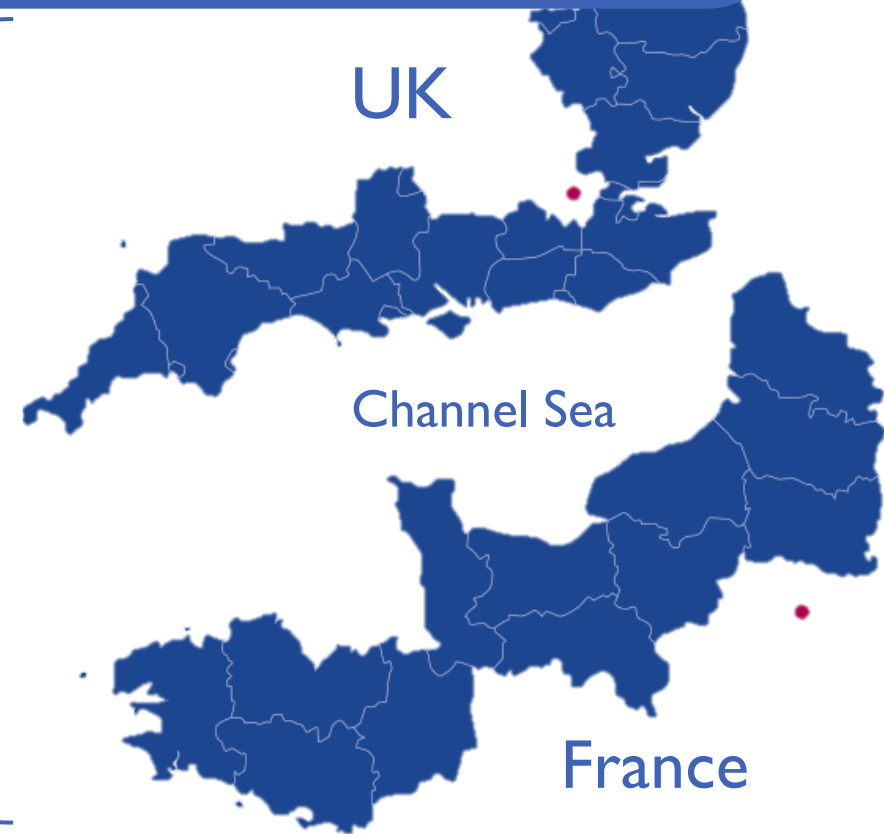
University  
of Exeter



UNIVERSITÉ  
CAEN  
NORMANDIE

The Marineff project aims to increase biodiversity on coastal infrastructure by producing proven concrete eco-engineering solutions that will provide habitat and be easily incorporated in development.  
Running until June 2023

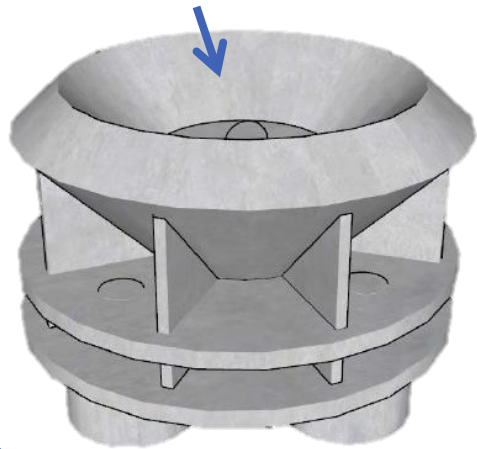
Project  
Area



# The Marineff eco-engineering modules

## three subtidal units

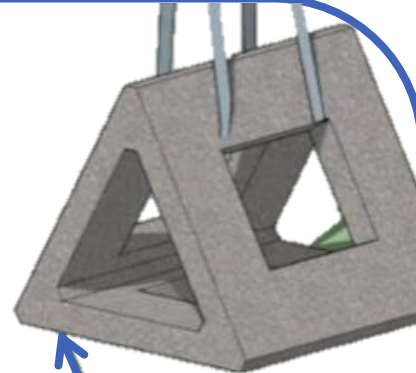
boat mooring module



breakwater block

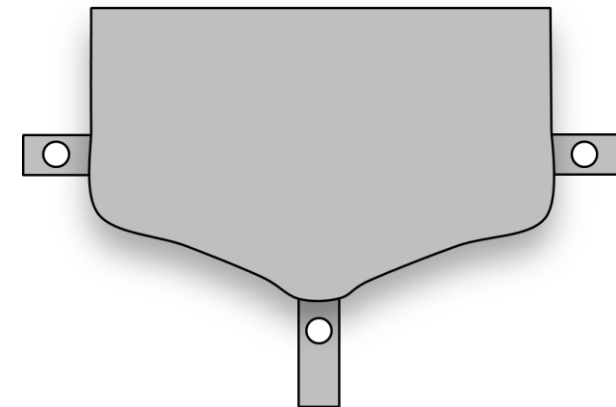


oyster prism



## one intertidal unit

artificial rockpool

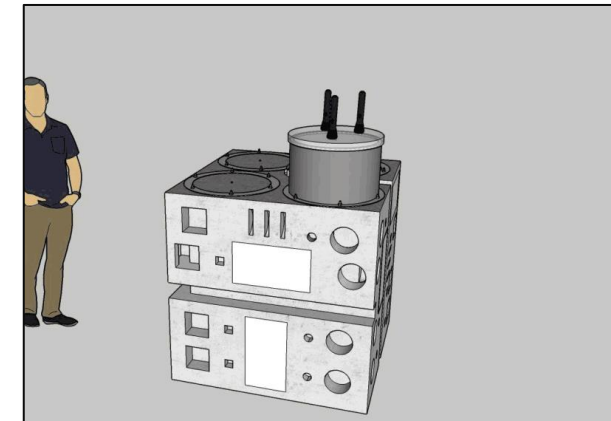
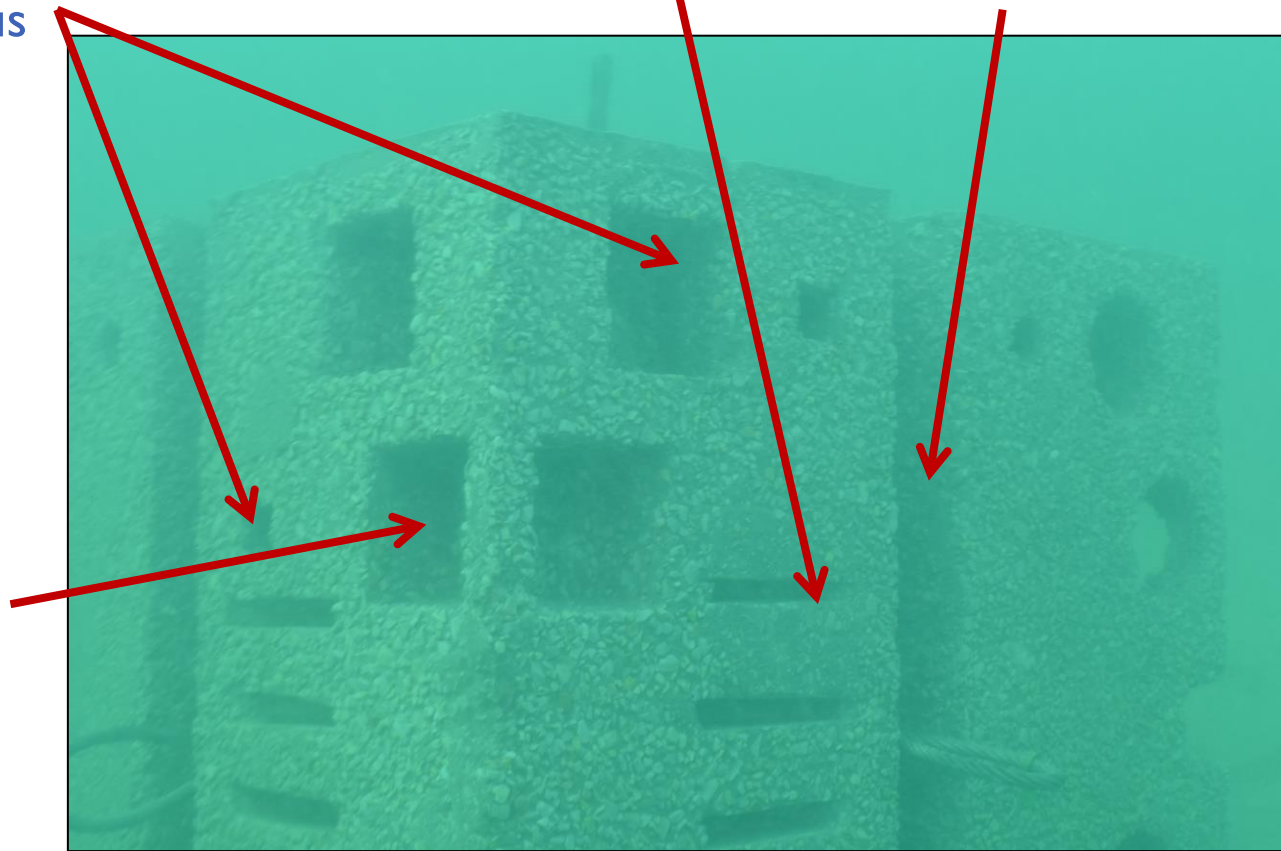


# Breakwater blocks

2 different shapes and size for various species

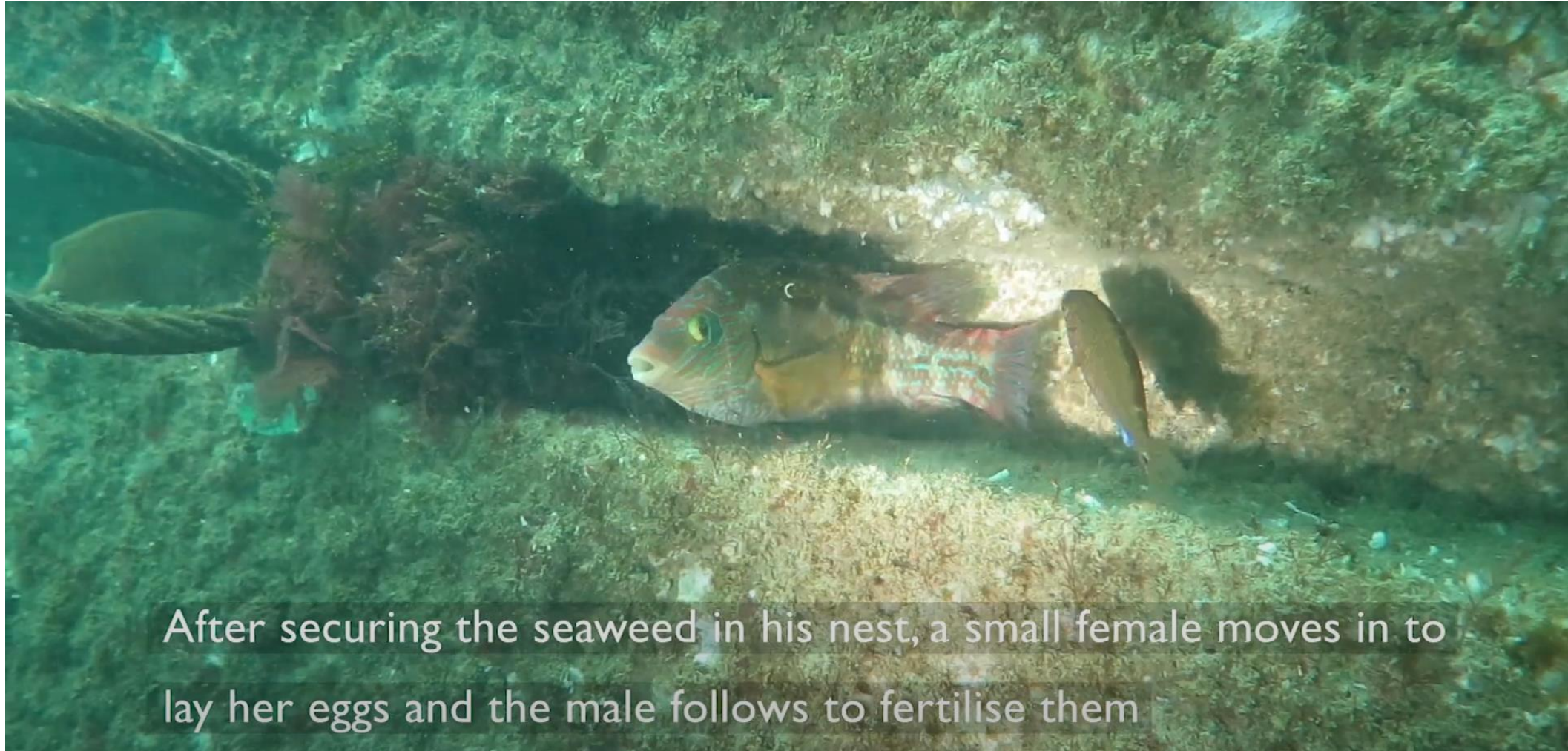
Groove Gutter for suspension feeders

Tunnel allowing escape



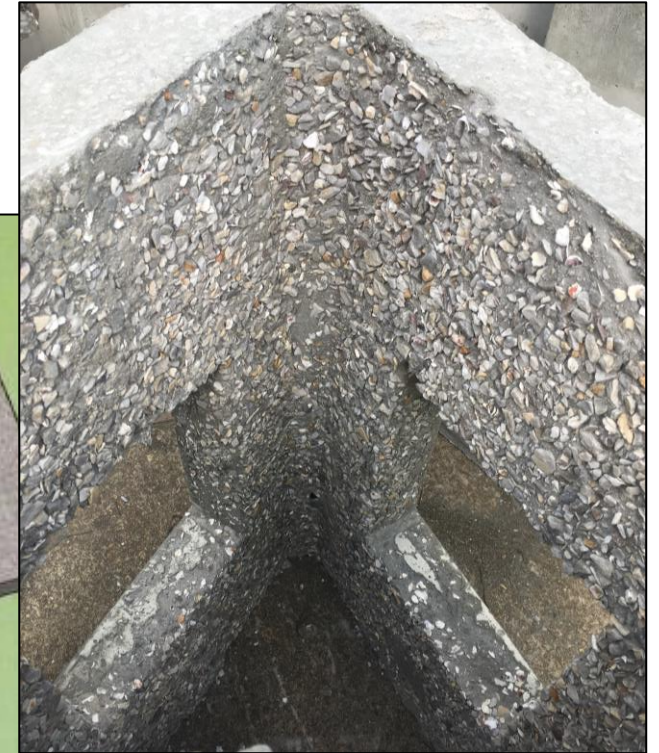
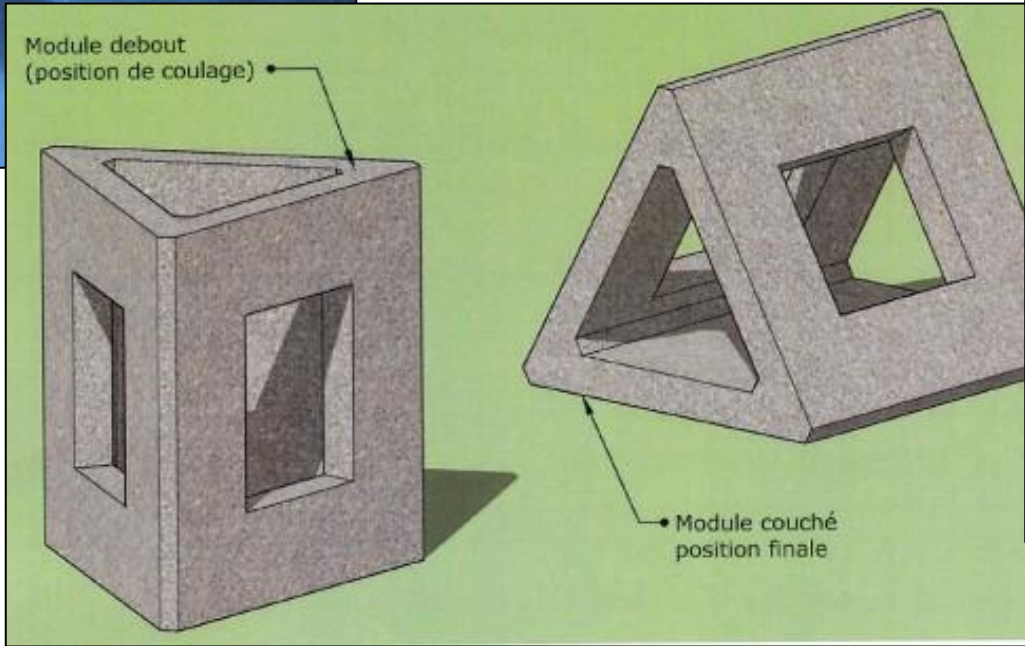
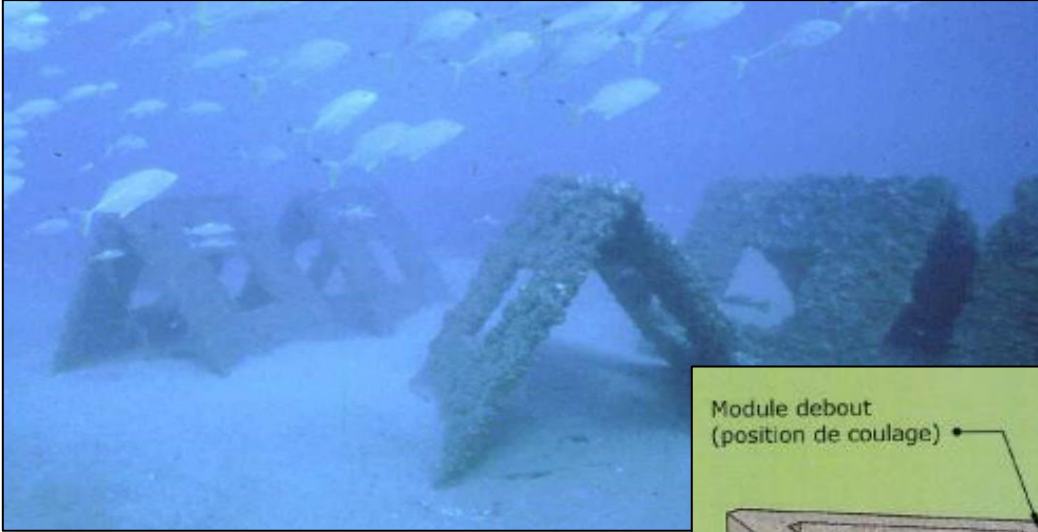


# Breakwater blocks





# Oyster prisms

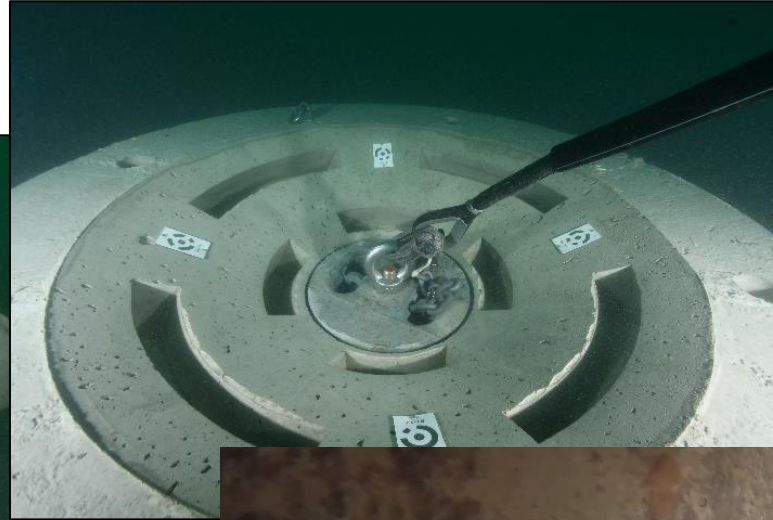


# Oyster prisms





# Boat moorings





# Artificial rockpools





# Artificial rockpools

## Species of note:

- Native oyster *Ostrea edulis*
- Montagu's blenny *Coryphoblennius galerita*
- Purse sponge *Grantia compressa*
- Chiton *Lepidochitonia cinera*
- Sponges, sea squirts and anemones
- The common cockle *Cerastoderma edule*
- The hydroid *Clava multicornis*

Sediment accretion in some rockpools

At one site, species recorded in rockpools is double the number of species on seawall





# Lessons learned

## Importance of public engagement and interpretation





# Publications and outputs

9+ scientific papers to date, with more on the way



Training videos for every aspect of the Marineff modules, from materials to manufacture and deployment



# Invitation to the Final Symposium of the Interreg MARINEFF Project

The Mary Rose ship

## About

The free-to-attend public final symposium will showcase results of the cross-Channel MARINEFF project which aimed to demonstrate biological enhancement of coastal infrastructure.

## When

Wednesday 8th March 2023

## Where

The Institute of Marine Sciences  
University of Portsmouth, UK

## Agenda

- |            |   |
|------------|---|
| 0930-1000  | Arrival, registration, tea and coffee   |
| 1000-1230  | Overview of the project, shell-concrete development, demonstration projects: artificial rock pools, oyster enhancement reefs, breakwater blocks, mooring sinkers. |
| 1230 -1400 | Lunch and networking  |
| 1400 -1700 | Continuation of demonstration project results, overview of related projects, discussion of how the project results can be applied                                 |
| 1800- 2100 | Tour and Conference dinner, <a href="#">Mary Rose Museum</a>  |

RSVP to Ken Collins at [kjc@noc.soton.ac.uk](mailto:kjc@noc.soton.ac.uk)

# Find and follow the Marineff project on:



@marineffproject



[www.marineff-project.eu](http://www.marineff-project.eu)



@marineffproject



[www.youtube.com](http://www.youtube.com)  
(Search Marineff Project)



Marineff ESITC Caen



Subscribe to our quarterly newsletter at our website on the 'Resources' page